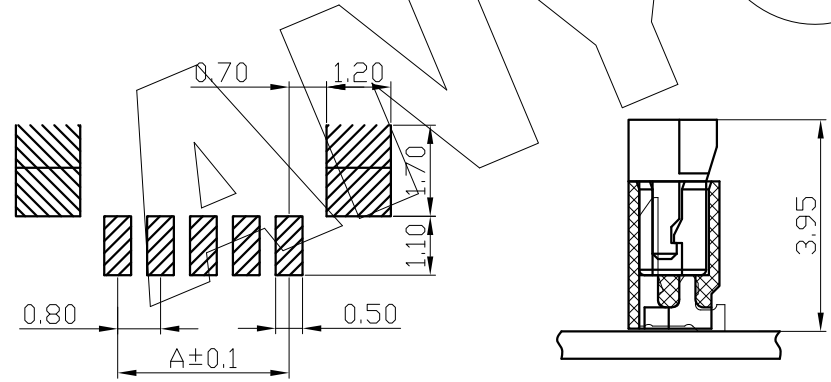
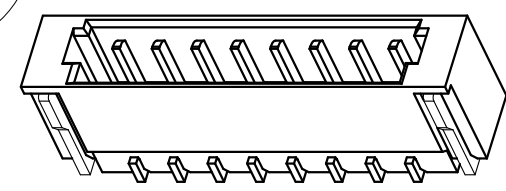
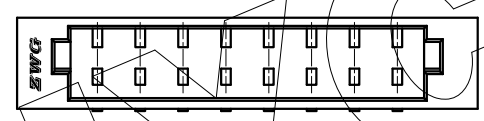
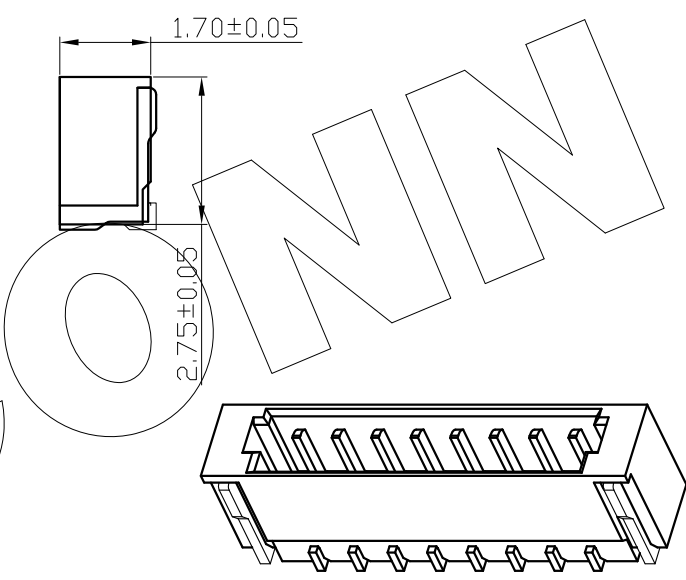
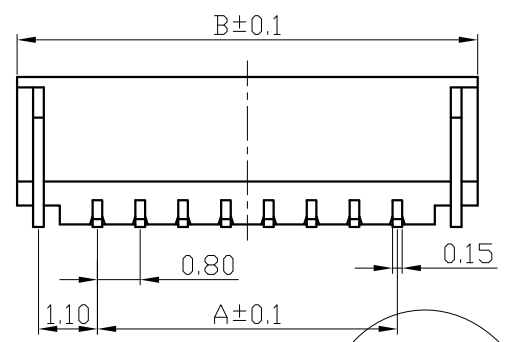


Current rating: 0.5A AC\DC (AWG #32)
 Voltage rating: 30V AC\DC
 Temperature range: -25°C to 85°C
 Contact resistance: Initial value/20mΩ max
 Insulation resistance: 100MΩ min
 Withstanding voltage: 200V AC/ minute
 Applicable wire: AWG #32 to #36

REVISION DATA		
REV	DESCRIPTION	DATE
A0	NEW DRAWING	2016-5-26



PCB Layout

孔位 poles	A	B
2	0.8	3.8
3	1.6	4.6
4	2.4	5.4
5	3.2	6.2
6	4.0	7.0
7	4.8	7.8
8	5.6	8.6
9	6.4	9.4
10	7.2	10.2
11	8.0	11.0
12	8.8	11.8
13	9.6	12.6
14	10.4	13.4
15	11.2	14.2
16	12.0	15.0
17	12.8	15.8
18	13.6	16.6
19	14.4	17.4
20	15.2	18.2

序号	图号	名称	材料	数量	附件
3	0.8T-003	基座	LCP	1	
2	0.8T-002	接触件	磷青铜	N*	镀锡
1	0.8T-001	焊片	磷青铜	2	镀锡

WF	K	D	11	XXX	XX	X	N	DXXX
Pitch K PH0.80	D 180°	XX Positions	XXX Positions	G0 Gold Flash SN Tin Plated	Insulator Material A PBT B PA66 C PA6T P PC F PA9T	W With peg N NO Peg L With lock T Fixed tabs		DXXX

ANYCONN® 东莞市恩康电子有限公司
 www.enkcom.com **DONGGUAN ANYCONN ELECTRONICS CO.,LTD**

TOLERANCE	PROJECTON	TITLE:
ANGLE ±5°	DATE: 2016-5-26	0.8T-nAB
X.XXX ±0.10	DRAWN: ZHANG	PART NO: WFKD11XXXXXXNDXXX
X.XX ±0.20	CHECKED:	DRAWING NO:
X.X ±0.30	APPROVED:	REV: A0 UNIT: mm SCALE: 3:1 SIZE: A4
X. ±0.50		